

### ○ Properties

#### Properties of the material:

- ◆ Plate material: Titanium
- ◆ Material of screws: TiAl6V4 ELI
- ◆ Easier removal of the implant after the fracture has healed
- ◆ Improved fatigue strength of the implant
- ◆ Reduced risk of cold welding
- ◆ Reduced risk of inflammation and allergy

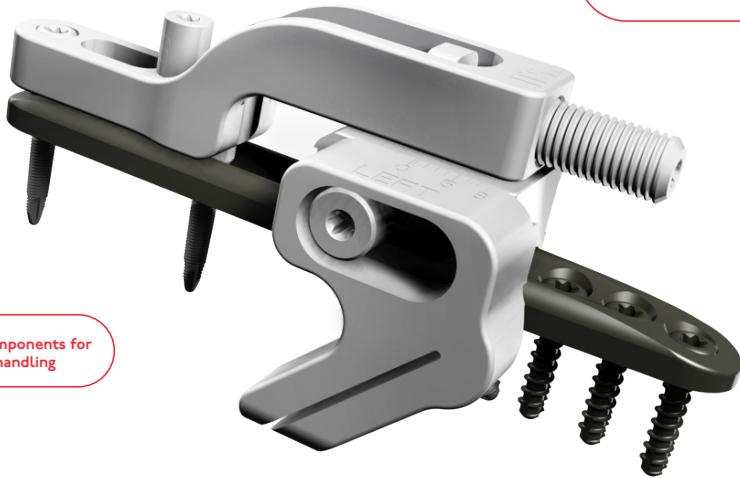
#### Properties of the implant:

- ◆ Multi-directional Locking
- ◆ Anatomically shaped
- ◆ 3 plate holes distal of the osteotomy
- ◆ Fixation of the osteotomy by a screw perpendicular to the cutting surface

**ALL-IN-ONE-SOLUTION**  
Placement of the tension bolts,  
osteotomy, compression

Central compression via the  
plate axis facilitates the joining  
of the osteotomy surfaces

30% less components for  
easier handling

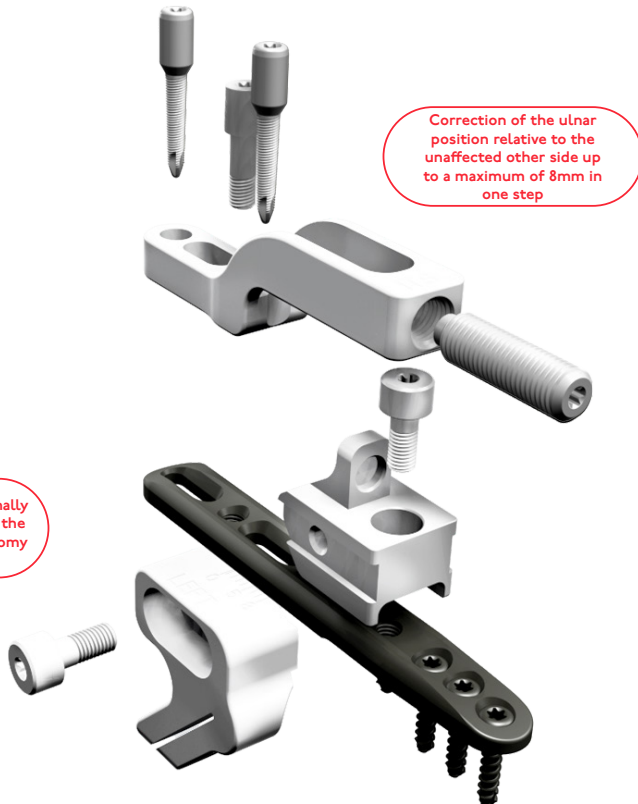


## UOL 2

Ulna Osteotomy Locking Plate 2

### Indications:

- Impaction syndrome of the ulnar wrist
- Symptomatic, post-traumatic ulnar malposition in the distal radio-ulnar joint (DRUJ)
- Degenerative ulnar wrist
- Correction of the ulnar position relative to the unaffected other side up to a maximum of 8mm in one step or 14mm in two steps.



## UOL 2

### Ulna Osteotomy Locking Plate 2